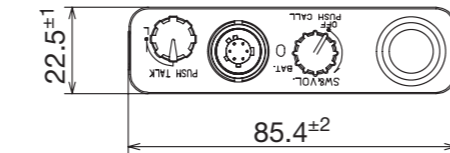
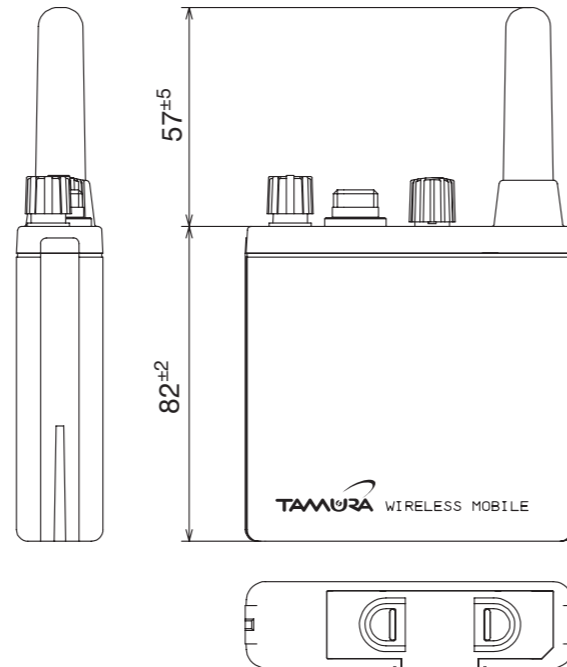


Personal Station YMT- 4120

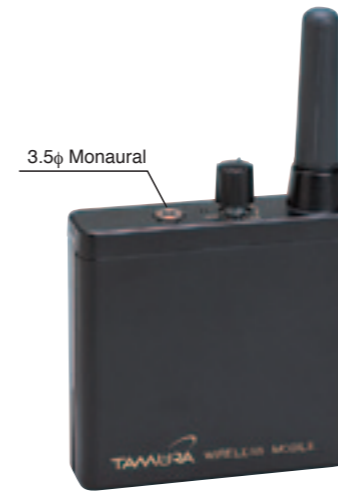


**Specifications**

Structure: Compact, light, and drip-proof  
 Power supply: AA alkali cell×2 Continuous use time is 20 hours  
 Call: Interactive simultaneous call  
 Antenna: Helical antenna or whip antenna for transmission/reception  
 Channel setting: Station selection is easy by quartz control PLL synthesize system  
 Environment: 10~+50°C  
 Weight: Approx. 220g (battery pack YBA-4120 included)



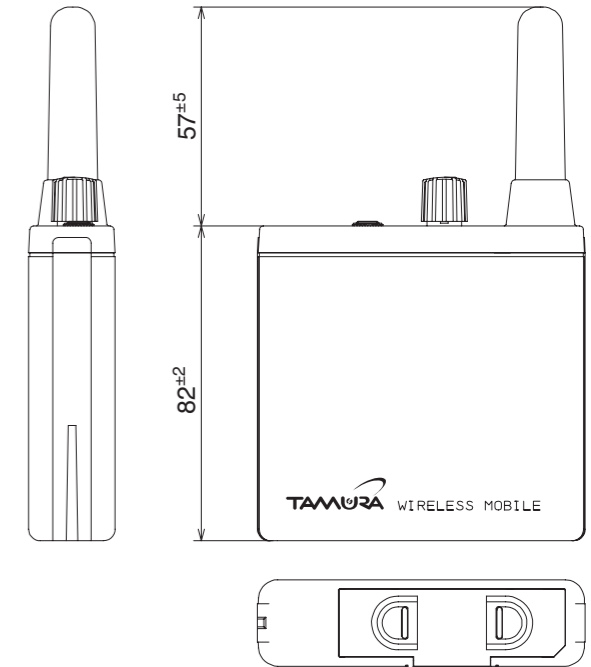
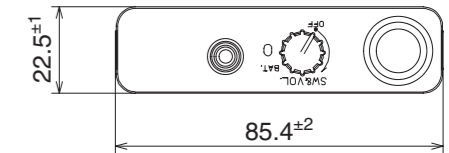
Command receiving device YRT- 4120



3.5φ Monaural

**Specifications**

Structure: Compact, light, and drip-proof  
 Power supply: AA alkali cell×2 Continuous use time is 23 hours  
 Call: Interactive simultaneous call  
 Antenna: Helical antenna or whip antenna for transmission/reception  
 Channel setting: Station selection is easy by quartz control PLL synthesize system  
 Standards: Technical standard conformance has been certificated  
 Environment: -10~+50°C  
 Weight: Approx. 210g (battery pack YBA-4120 included)



Battery pack

**YBA-4120**

AA alkali cell×2  
 \* Batteries are not included



**PBA-4120**

Production on order

Nickel-hydrogen battery (2.4 V)



Antenna **CAW-4510**



**Specifications**

Type: Dipole type  
 Applied frequency: 413~454MHz  
 Type: λ/2 half wavelength type  
 Junction type: M type  
 Impedance: 75Ω  
 Weight: Approx. 800g (attachment base included)

