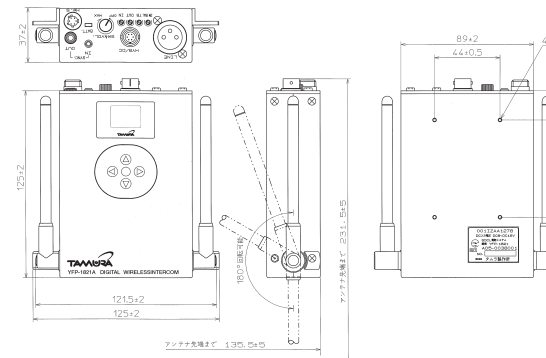




## Cell Station (CS) YFP-1821A



### Features

- 2W line of Clear-Com can be input directly
- 4 PS units can be connected to one CS unit.
- Up to 5 CS units can be used simultaneously with synchronous connection
- Continuous use time is 7 hours or more (when 8 AA alkali cells are used)
- The following settings are available with a cross key on the front
  - Setting of LINE input/output interface (4W/2W)
  - Setting of talkback
  - Setting of audio input/output level
  - Confirmation of registration ID
  - Setting of RF output level

### Specifications

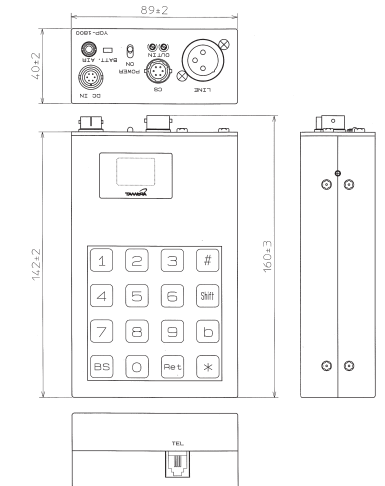
- Audio frequency:** 3.4 kHz or less
- Audio encoding system:** 32 kbit/s ADPCM
- Line specification:** 4W: IN 0 dBm, OUT 0 dBm  
AIR: IN -20dBm
- Microphone input:** -50dBm (unbalanced 600Ω)
- Speaker output:** 15 mW or more (at 8Ω)
- Power supply:** DC8.0~16.0V (negatively grounded)
- Structure:** Portable type
- Standards:** Technical standard conformance has been certificated
- Environment:** -10~+50°C
- Weight:** Approx. 430g

## Base Station (BS) YOP-1800



### Features

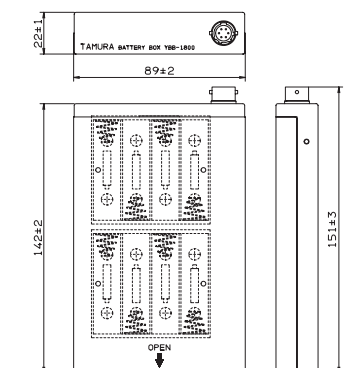
- Audio frequency:** 3.4 kHz or less
- Line specification:** 4W: Input -20dBm(unbalanced 600Ω)  
Output 0dBs(balanced 50Ω)
- Program input:** -20dBm(balanced 600Ω)
- Public telephone function input/output:** -10dB(600Ω) 1 line
- Power supply:** DC 8.0~13.5V(negatively grounded)
- Structure:** Portable type
- Environment:** -10~+50°C
- Weight:** Approx. 480g



## Battery box YBB-1800



**YOP-1800 Battery box**  
8 AA alkali cells are used



## Basic system

### Wired Intercom System, Connection with 2 channels is possible!

