

Wireless Monitoring System

FM70MHz Band Output 10 mW

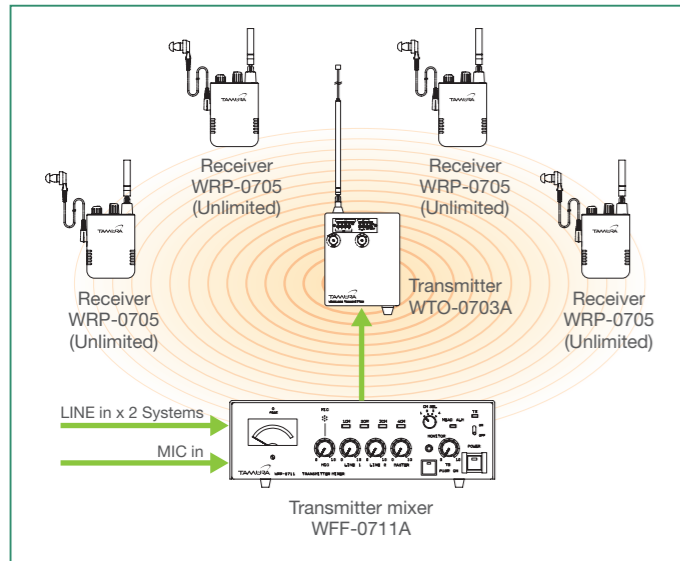
License Free

主な特長

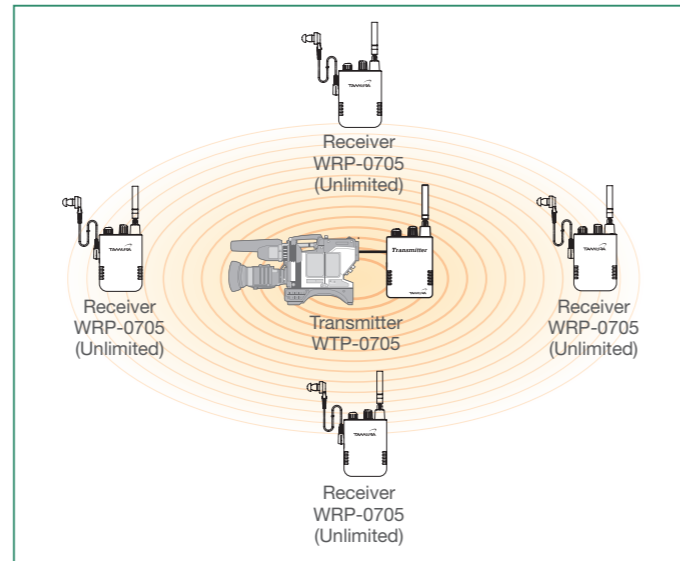
- The transmitter mixer can change transmitter frequency and turn it on and off by remote control.
- It is possible to use a microphone cable to connect between the transmitter mixer and the transmitter.
- There are two types of transmitters: a long-antenna type designed for a long transmission distance (WTO-0703A) and a portable type designed for mobility (WTP-0705).
- One frequency is selected from 4 frequencies (74.58MHz / 74.64 / 74.70 / 74.7) for a channel. Up to 3 frequencies can be used in the same area.
- Focusing on stability, a transmission output of 10 mW (0.01 W) is designed even with a small power, achieving high-quality sound with a frequency response of 100 Hz to 7 kHz.



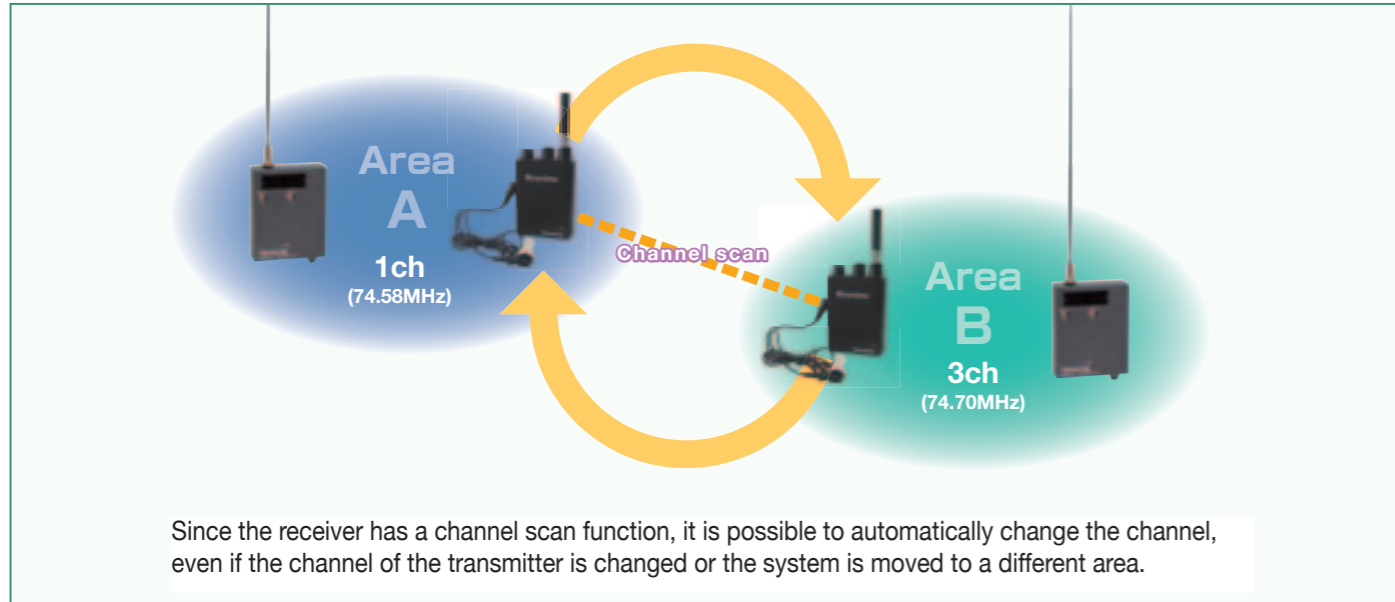
Example 1



Example 2

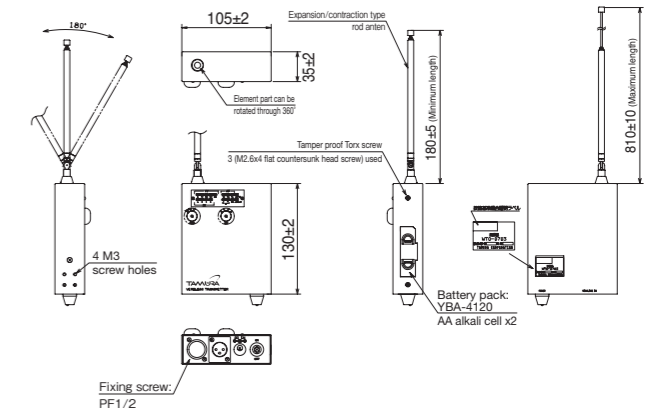


Channel scan function



Transmitter

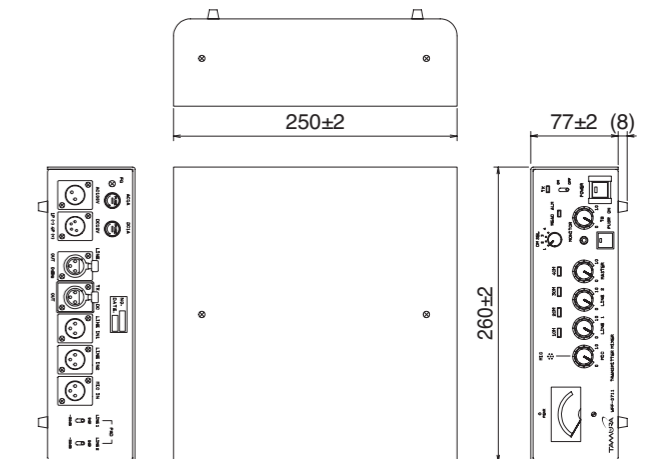
WTO-0703A



Rf power output	10mW
The Number of Channels	4Channels PLL Type
Input	-60 / -20 / +4 dBm (600Ω)
Structure	Wall-mounting and microphone stand mounting system
Power Source	DC10V(supplied by WFF-0711A) DC7~15V(External Power) More than 18 hours(AA alkaline×2)
Environment	-10°C~+50°C
Weight	680g (Including batteries)
Size	W : 105 × H : 130 × D : 35 (mm) except protuberance

Transmitter mixer

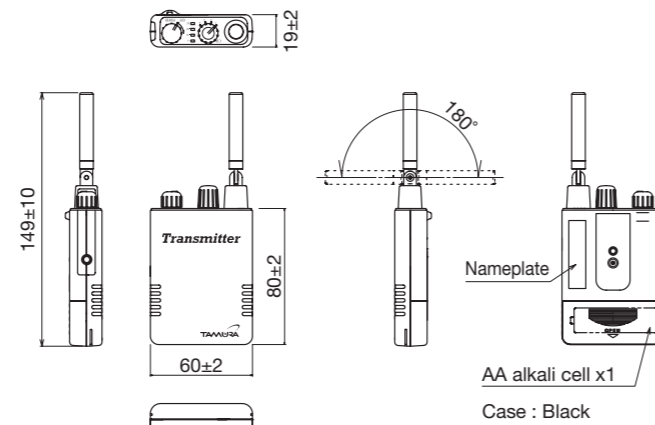
WFF-0711A



Input	LINE ×2 MIC ×1(600Ω)
Output	LINE ×1 (Transformer Balanced)
Channel Change	Remote Control, 4 Channels
Frequency Characteristic	100Hz ~ 10kHz
Environment	-10°C~+50°C
Power Source	AC100V / DC12V
Wight	2.5kg

Transmitter

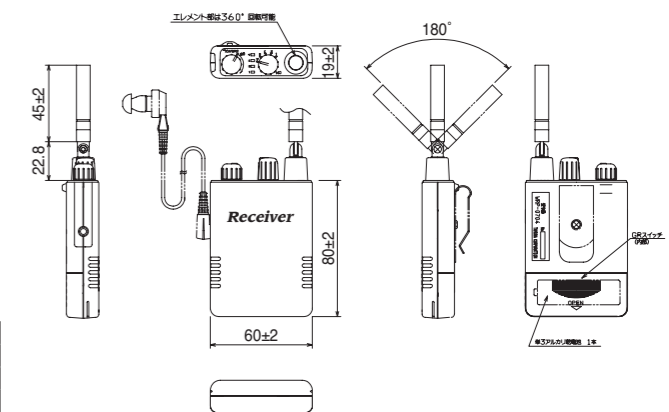
WTP-0705



Rf Power Output	10mW
The Number of Channels	4 channels PLL type
Input	-60 / -20 / +4 dBm (600Ω)
Structure	Portable size
Power Source	DC1.5V (AA alkaline)
Available Time	More than 10 hours (1 AA alkaline)
Environment	-10°C~+50°C
Weight	100g (Including battery)
Size	W : 60 × H : 80 × D : 19 (mm) except protuberance

Receiver

WRP-0705



Receive Sensitivity	Less than 2μV (SINAD12)
Type of Reception	Space Diversity
The Number of Channels	4 Channels PLL type
Structure	Portable size
Power Source	DC1.5V (AA alkaline)
Available Time	More than 18 Hours
Environment	-10°C~+50°C
Wight	100g (Including Battery)