



NT110

DIGITAL AUDIO MIXER

Operability of trust



- Compact design mountable in a EIA 19 inch width rack
- 2 Layer (AB sides per each Layer), 3 Banks enable 80ch Logic CH with 16ch physical faders incorporated.
- Incorporated Surround sound monitor output enables Surround sound product ion at Outside broadcasting field.
- 2 sets of NT016 can be Cascaded to have a Physical 32ch. Fader Console (option)

- Analog 16 Input/Output (MONO), AES 2 Input/Output (STEREO) & AUX 2 (STEREO) as standard.
- Audio formats such as AES, MADI, SDI, DANTE can be linked with NT016 via 2 expansion slots. (option)
- External Remote Control for Input/Output can be achieved via GPIO cards installed in the expansion slots for various applications.



- Sampling Frequency;48K/96KHz, selectable for High-quality audio program production.
- Availability of Power redundancy which is a prime requirement for live broadcasting events for the highest reliability.
- Audio digital signal processing redundancy despite of the size of portable mixer. (option)



Portable Model with Inherited Functions RE-Liability of NT Series

Specifications

> Overall Rating

■ Dimensions (without Side panel)	490(W)×221.5(H)×610(D)mm (Protruding parts not included)
	430(W)×220.5(H)×550(D)mm (FRONT/SIDE PANEL not included)
■ Weight	19 kg
■ AC	100 - 240V, 50/60Hz
■ DC	12V/14.8V
■ Power Consumption	150W
■ Operating free-air temperature range	-10~ 40°C
■ Number of faders	16 Fader
■ Bank/Layer	3Bank/2Layer

> Audio Channels (Fs=48kHz)

■ Master Bus	2ch (5.1Surround+STEREO)
■ Summing Bus	16ch (MONO)
■ AFL Bus	1ch (5.1Surround+STEREO)
■ PFL Bus	1ch (Stereo)
■ Monitor Out	1ch (5.1Surround)
■ Headphone Out	1ch (Stereo)

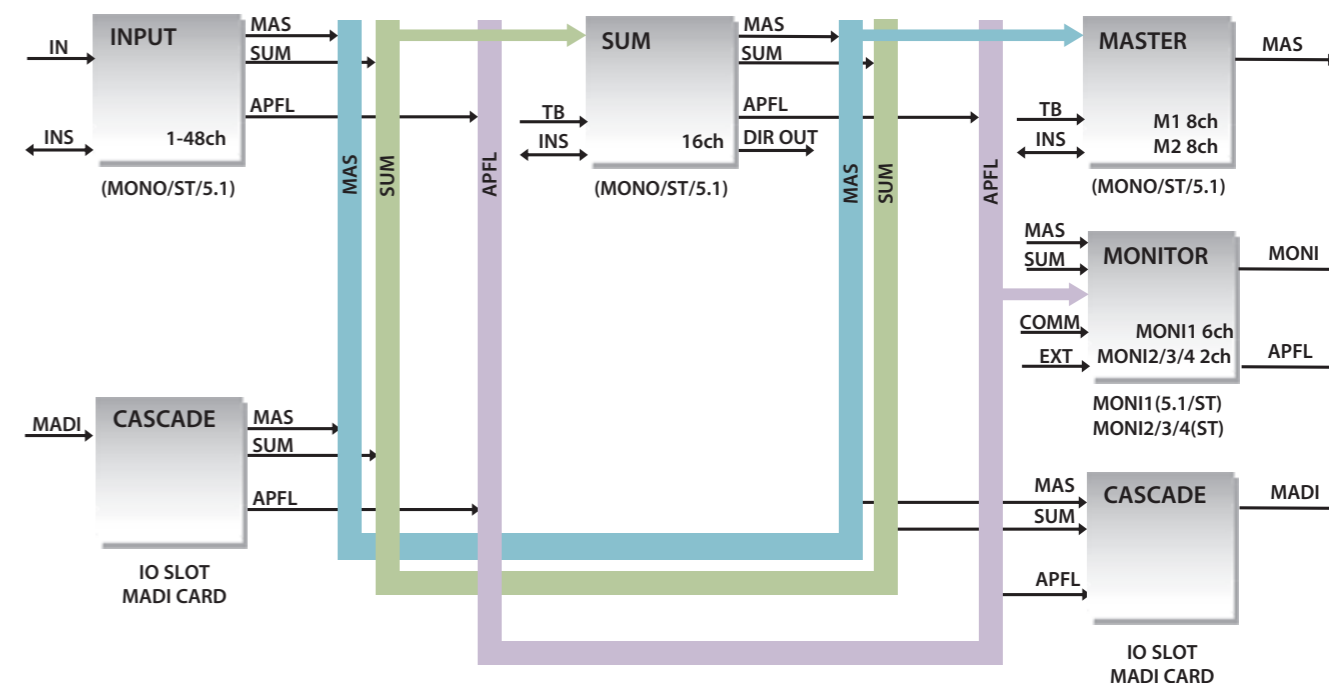
> Audio control parameters

■ Audio Reference Input Level	
(Analog MIC)	+10 ~ -64dBμ
(Analog LINE)	+4dBμ
■ Audio Reference Output Level	
(Analog LINE)	+4dBμ
■ Audio Reference Input/Output Level	
(Digital)	+10dBFS / -64dBFS
■ HA Headroom	20~30 dB

> Option (Will be released)

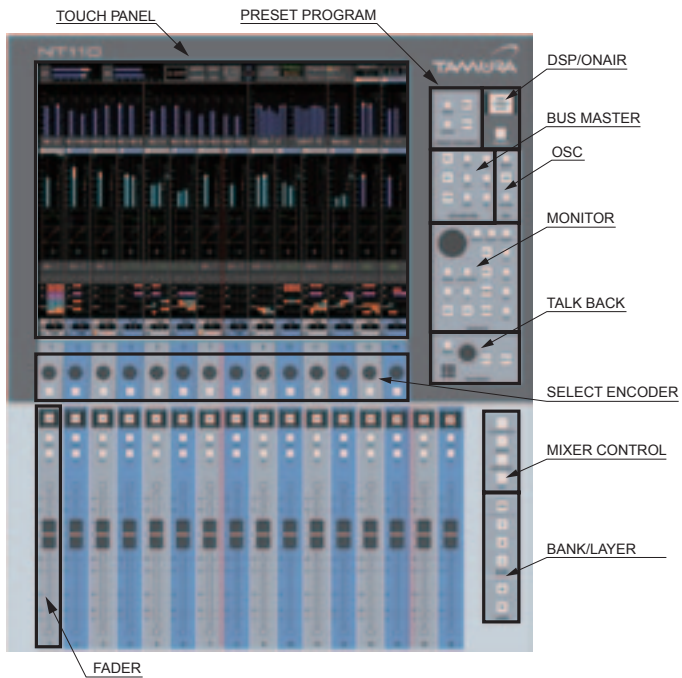
- DSP CARD (BACK UP REDUNDANT DSP)
- OPTION CARD
- AES3id IO CARD (4ch IN + 4ch OUT BNC)
- GPIO CARD
- MADI CARD (1Coax/1Opt)
- DANTE CARD
- Storage case

Audio block diagram

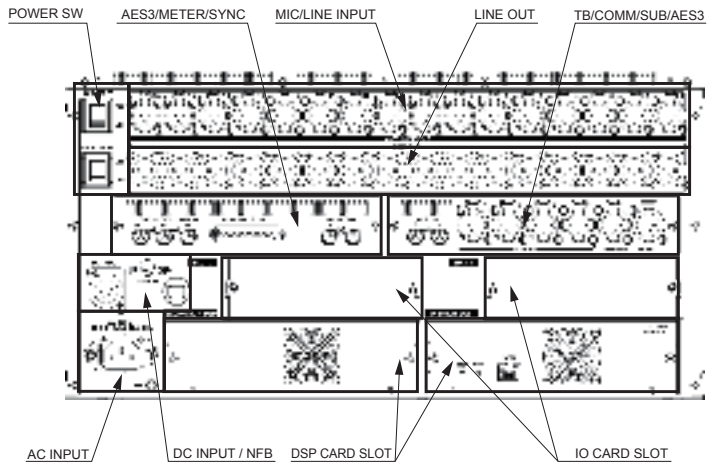


Control Panel Description

■ Front panel



■ Rear panel



Dimensions

