

REV. Status

REVISION -
06/23/03 MP

REVISION A
ADDED
PAGES 3-4.
07/08/03 MP

TELECOMMUNICATION DRY COUPLING SURFACE MOUNT TRANSFORMER

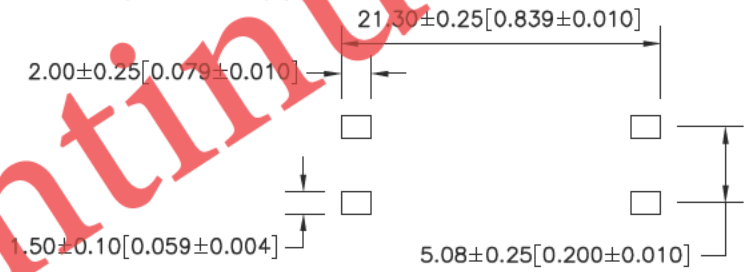
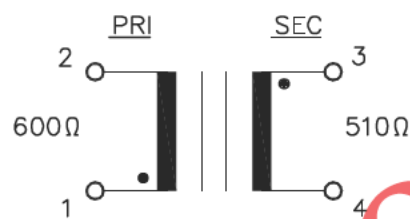
A. Electrical specifications (@ 25° C)

1. Pri source impedance; 600Ω
2. Sec load impedance; 510Ω
3. Maximum Power; +3.5dBm
4. Frequency response; ±0.5dB @ 300Hz, 1.0Vrms (1KHz as ref. frequency)
±0.3dB @ 3.5KHz, 1.0Vrms (1KHz as ref. frequency)
5. Return loss; 16dB MIN @ 300Hz to 3.5KHz, 1.0Vrms
6. Insertion loss; 1.25dB ±0.25dB @ 1KHz, 1.0Vrms
7. Longitudinal balance;
60dB MIN @ 300Hz to 3.5KHz, 1.0Vrms
8. Inductance; 1.2H MIN @ 1KHz, 1Vrms (Lp, inductance in parallel)
Measured (1-2)
9. Impedance; 600Ω ±10% @ 1KHz, 1Vrms, load 510Ω at secondary
Measured (1-2)
10. DC resistance;
(1-2) = 58Ω ±15%
(3-4) = 70Ω ±15%
11. Turns ratio;
(1-2) : (3-4) = 1 : 1.00 ±2%
12. Dielectric strength;
1875Vrms 1 second @ Pri to Sec, Pri to Core
625Vrms 1 second @ Sec to Core
13. Operating Temperature; -10 ~ +60°C
14. Storage Temperature; -20 ~ +65°C

B. Marking; TTC-512, TAMURA, date code and country of origin

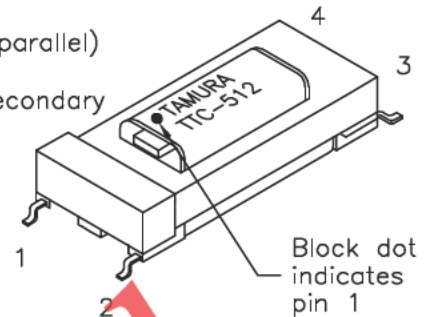
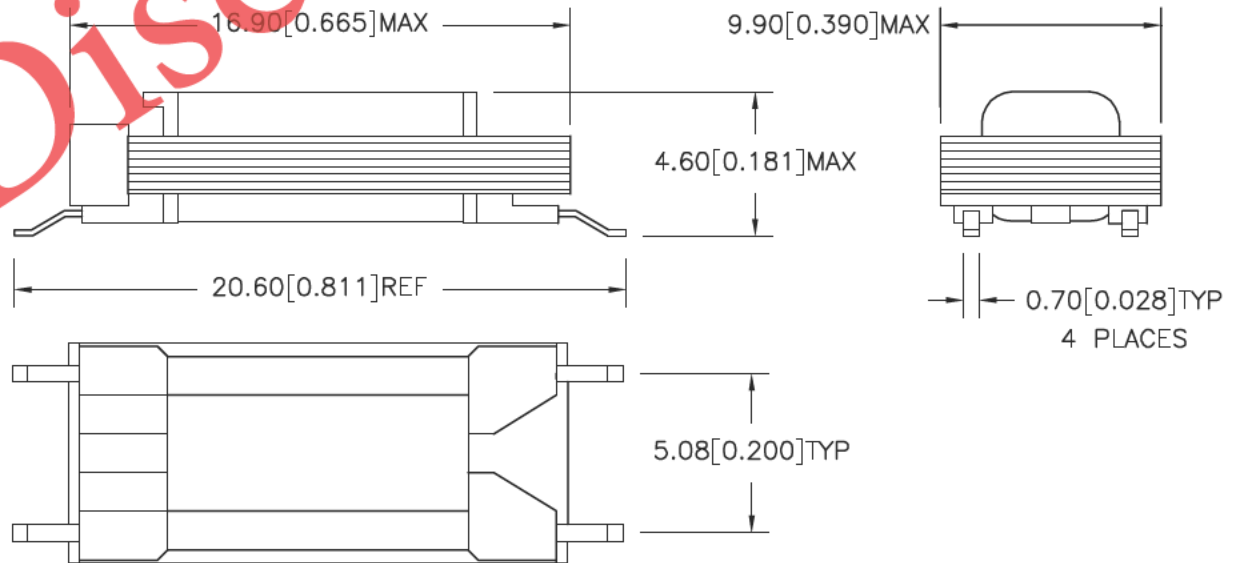
C. Safety; Complies with UL1950 3rd Edition, UL60950, EN60950

D. Schematic diagram;



E. Mechanical Specifications;

All dimensions shown are nominal unless otherwise specified



MODEL NUMBER
TTC-512

PREPARED BY:

D. Rund
ENGINEER:

M. Pitchai

QUALITY CONTROL:

J. Coleman

APPROVED:

Y. Sekiguchi

DRAWING CONTROL NO.
P-A1-12972
ACAD\TTC\A1129721.DWG

REV
A

MODEL DESCRIPTION
TELECOMMUNICATION SURFACE MOUNT
DRY COUPLING TRANSFORMER

MODEL SPECIFICATION

TTC-512

CONTENTS OF THIS DRAWING ARE
SUBJECT TO CHANGE WITHOUT
PRIOR NOTICE

TAMURA CORPORATION OF AMERICA
43352 BUSINESS PARK DRIVE, TEMECULA, CA. 92590-6624
(909) 699-1270 FAX 9096769482

DIM: mm(in) SCL: 4/1 SH: 1 OF 4

PROPRIETARY NOTICE: THIS DRAWING PRINT OR DOCUMENT AND SUBJECT MATTER DISCLOSED HEREIN ARE PROPRIETARY ITEMS TO WHICH TAMURA RETAINS THE EXCLUSIVE RIGHT OF DISSEMINATION, REPRODUCTION, MANUFACTURE AND SALE. THIS DRAWING, PRINT OR DOCUMENT IS SUBMITTED IN CONFIDENCE FOR CONSIDERATION BY THE RECIPIENT ALONE UNLESS PERMISSION FOR FURTHER DISCLOSURE IS EXPRESSLY GRANTED IN WRITING.

REV. Status

F. Reliability Test;

REVISION –
06/23/03REVISION A
ADDED
PAGES 3–4.
07/08/03 MP

No.	Item	Condition	Specifications
1	Solderbility	Temperature: 230° ± 5°C Solder time: 3 ± 0.5 seconds Solder: H60A or H63A Flux: 75% Methanol and 25% Rosin	After that the sample shall be covered by solder uniformly at more than 90% of circumference.
2	Resistance to Soldering heat	Temperature: 260° ± 5°C Solder time: 10 ± 1 seconds Solder: H60A or H63A Flux: 75% Methanol and 25% Rosin	Sample shall not show any unusual appearance.
3	Resistance to soldering heat (hand soldering)	Temperature: 350° ± 10°C Solder time: 3 ± 1 seconds	Sample shall not show any unusual appearance.
4	Thermal cycle test	JIS C 0025 10 cycles Temperature -10°C 30 min 25°C 5 min 70°C 30 min	After that sample shall be replaced in normal ambient for 60 min., it shall not show any unusual appearance and should meet the requirement of dielectric strength and insulation resistance no less than 10MΩ
5	Heat test	JIS C 0021 Temperature: 100°C Time: 96 hours	After that sample shall be replaced in normal ambient for 60 min., it shall not show any unusual appearance and should meet the requirement of dielectric strength and insulation resistance no less than 10MΩ
6	Cold test	JIS C 0020 Temperature: -25°C Time: 96 hours	After that sample shall be replaced in normal ambient for 60 min., it shall not show any unusual appearance and should meet the requirement of dielectric strength and insulation resistance no less than 10MΩ
7	Humidity Test	JIS C 0022 Temperature: 40°C Humidity: 90~95% Time: 96 hours	After that sample shall be replaced in normal ambient for 60 min., it shall not show any unusual appearance and should meet the requirement of dielectric strength and insulation resistance no less than 10MΩ
8	Vibration test	JIS C 0040 Frequency: 10~55Hz Amplitude (total excursion) 1.5mm Transverse time: 5 min. Direction Time: XYZ each 50 min.	After that sample shall be replaced in normal ambient for 60 min., it shall not show any unusual appearance and should meet the requirement of dielectric strength and insulation resistance no less than 10MΩ
9	Terminal strength	JIS C 0051.2.5 5N 10 seconds	No breakage of magnet wire, etc.

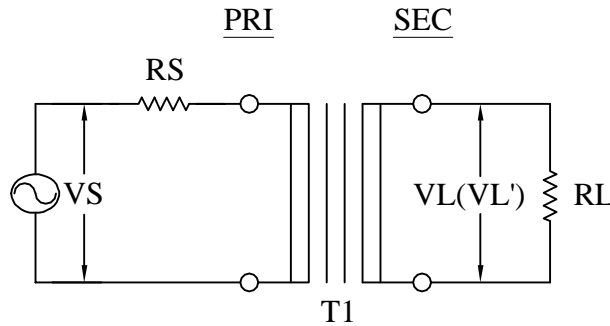
DRAWING CONTROL NO. P-A1-12972 ACAD\TTC\A1129722.DWG	REV A	MODEL DESCRIPTION TELECOMMUNICATION SURFACE MOUNT DRY COUPLING TRANSFORMER	MODEL SPECIFICATION TTC-512		
CONTENTS OF THIS DRAWING ARE SUBJECT TO CHANGE WITHOUT PRIOR NOTICE		TAMURA CORPORATION OF AMERICA 43352 BUSINESS PARK DRIVE, TEMECULA, CA. 92590-6624 (909) 699-1270 FAX 9096769482	DIM: N/A	SCL: N/A	SH: 2 OF 4

PROPRIETARY NOTICE: THIS DRAWING PRINT OR DOCUMENT AND SUBJECT MATTER DISCLOSED HEREIN ARE PROPRIETARY ITEMS TO WHICH TAMURA RETAINS THE EXCLUSIVE RIGHT OF DISSEMINATION, REPRODUCTION, MANUFACTURE AND SALE. THIS DRAWING, PRINT OR DOCUMENT IS SUBMITTED IN CONFIDENCE FOR CONSIDERATION BY THE RECIPIENT ALONE UNLESS PERMISSION FOR FURTHER DISCLOSURE IS EXPRESSLY GRANTED IN WRITING.

G. Test Methods;

1. Frequency Response:

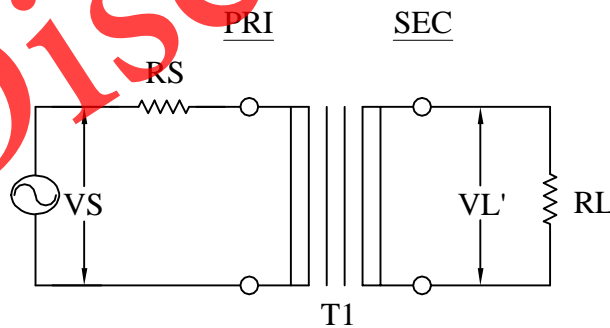
$$FR=20 \text{ LOG } \left| \frac{VL}{VL'} \right| \text{ (dB)}$$



- VS: Constant input voltage (V)
- VL: Output voltage at any other frequency (V)
- VL: Output voltage at reference frequency, 1KHz (V)
- RS: Primary source impedance (Ω)
- RL: Secondary load impedance (Ω)
- T1: Transformer under test

2. Insertion Loss:

$$IL=10 \text{ LOG } \left| \frac{VS^2 \times RL}{4 VL'^2 \times RS} \right| \text{ (dB)}$$



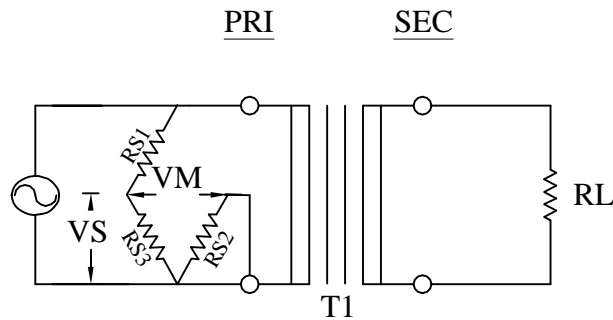
- VS: Input voltage (V)
- VL: Output voltage at frequency, 1KHz (V)
- RS: Primary source impedance (Ω)
- RL: Secondary load impedance (Ω)
- T1: Transformer under test

DRAWING CONTROL NO. P-A1-12972 ACAD\TTC\A1129723.DWG	REV A	MODEL DESCRIPTION TELECOMMUNICATION SURFACE MOUNT DRY COUPLING TRANSFORMER	MODEL SPECIFICATION		
CONTENTS OF THIS DRAWING ARE SUBJECT TO CHANGE WITHOUT PRIOR NOTICE			TTC-512		
TAMURA CORPORATION OF AMERICA 43352 BUSINESS PARK DRIVE, TEMECULA, CA. 92590-6624 (909) 699-1270 FAX 9096769482					
PROPRIETARY NOTICE: THIS DRAWING PRINT OR DOCUMENT AND SUBJECT MATTER DISCLOSED HEREIN ARE PROPRIETARY ITEMS TO WHICH TAMURA RETAINS THE EXCLUSIVE RIGHT OF DISSEMINATION, REPRODUCTION, MANUFACTURE AND SALE. THIS DRAWING, PRINT OR DOCUMENT IS SUBMITTED IN CONFIDENCE FOR CONSIDERATION BY THE RECIPIENT ALONE UNLESS PERMISSION FOR FURTHER DISCLOSURE IS EXPRESSLY GRANTED IN WRITING.					

G. Test Methods;

3. Return Loss:

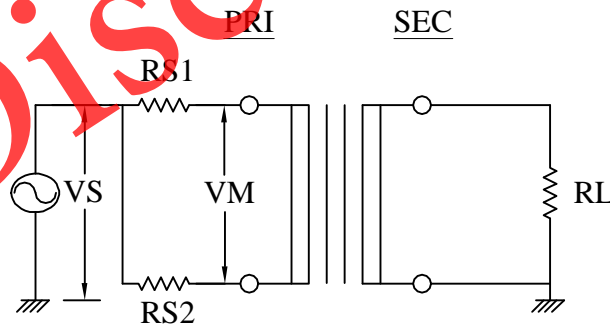
$$RL=20 \text{ LOG } \left| \frac{VS}{VM} \right| \text{ (dB)}$$



- VS: Divided input voltage (V)
- VM: Unbalanced voltage (V)
- RS1, RS2, RS3: Primary source impedance (Ω)
- RL: Secondary load impedance (Ω)
- T1: Transformer under test

4. Longitudinal Balance:

$$LB=20 \text{ LOG } \left| \frac{VS}{VM} \right| \text{ (dB)}$$



- VS: Input voltage (V)
- VM: Longitudinal unbalanced voltage (V)
- RS1, RS2: Half of primary source impedance (Ω)
- RL: Secondary source impedance (Ω)
- T1: Transformer under test

DRAWING CONTROL NO. P-A1-12972 ACAD\TTC\A1129724.DWG	REV A	MODEL DESCRIPTION TELECOMMUNICATION SURFACE MOUNT DRY COUPLING TRANSFORMER	MODEL SPECIFICATION	
CONTENTS OF THIS DRAWING ARE SUBJECT TO CHANGE WITHOUT PRIOR NOTICE			TTC-512	
TAMURA CORPORATION OF AMERICA 43352 BUSINESS PARK DRIVE, TEMECULA, CA. 92590-6624 (909) 699-1270 FAX 9096769482				
PROPRIETARY NOTICE: THIS DRAWING PRINT OR DOCUMENT AND SUBJECT MATTER DISCLOSED HEREIN ARE PROPRIETARY ITEMS TO WHICH TAMURA RETAINS THE EXCLUSIVE RIGHT OF DISSEMINATION, REPRODUCTION, MANUFACTURE AND SALE. THIS DRAWING, PRINT OR DOCUMENT IS SUBMITTED IN CONFIDENCE FOR CONSIDERATION BY THE RECIPIENT ALONE UNLESS PERMISSION FOR FURTHER DISCLOSURE IS EXPRESSLY GRANTED IN WRITING.				